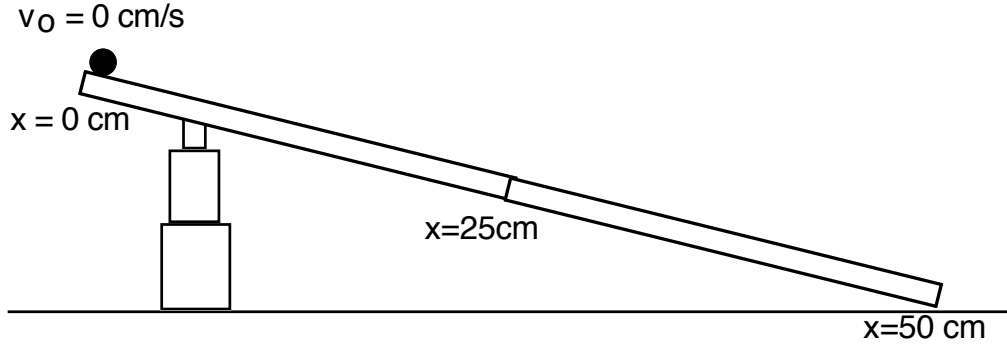
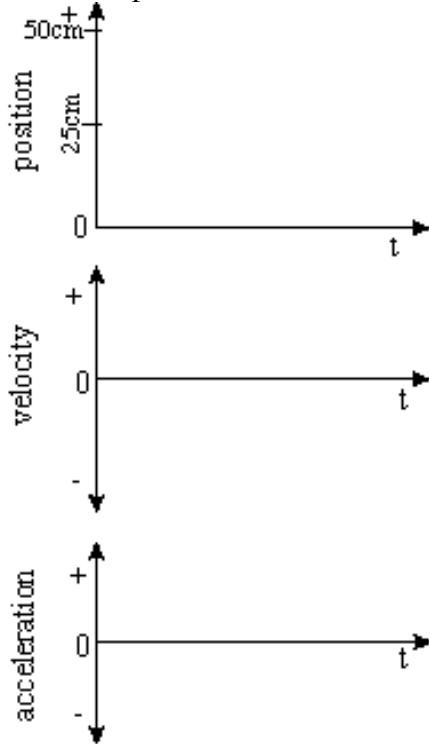


Uniformly Accelerated Particle Model Worksheet 2: Accelerated Motion Representations

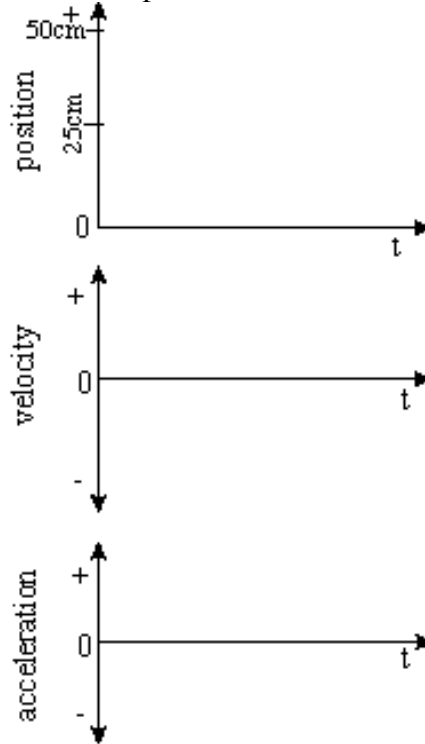
1. Draw a motion map along the ramp for the motion of the ball as it rolls down the ramp from rest.



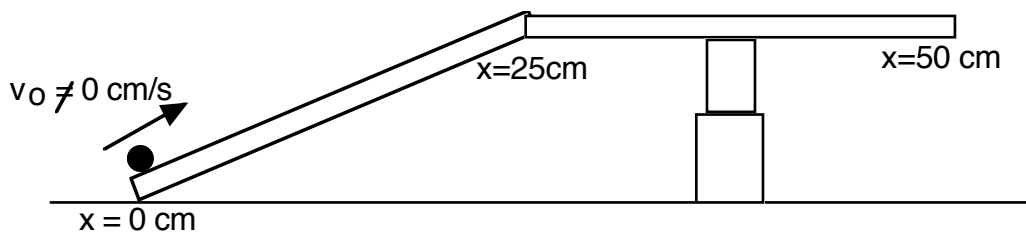
Draw graphs corresponding to the motion of the ball in problem 1.



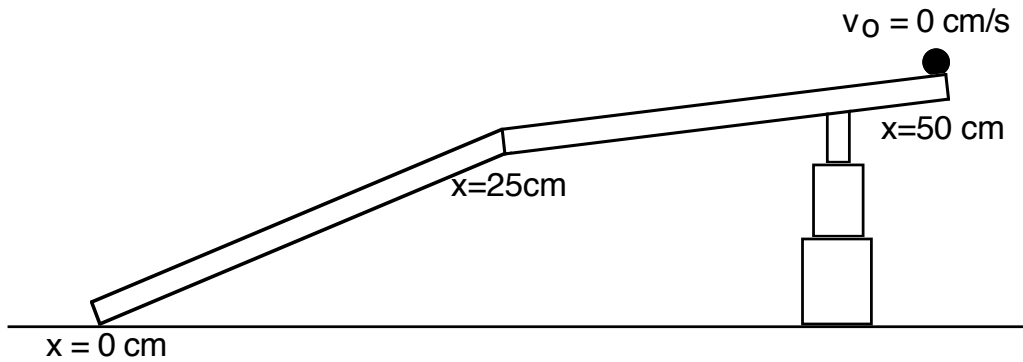
Draw graphs corresponding to the motion of the ball in problem 2.



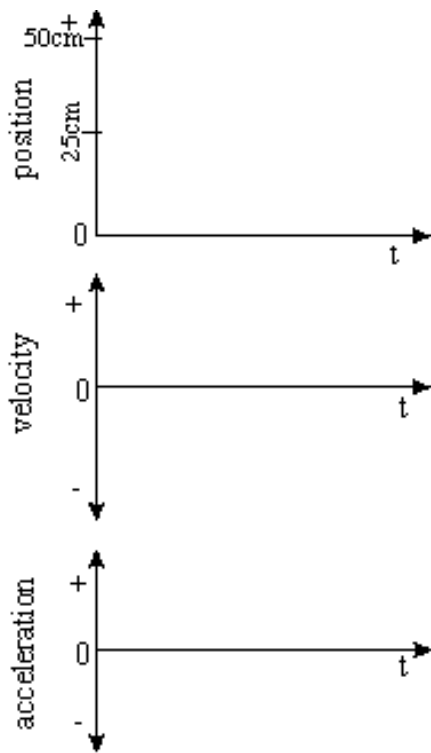
2. Draw a motion map along the ramp for the motion of the ball as it rolls up the ramp and across the level section.



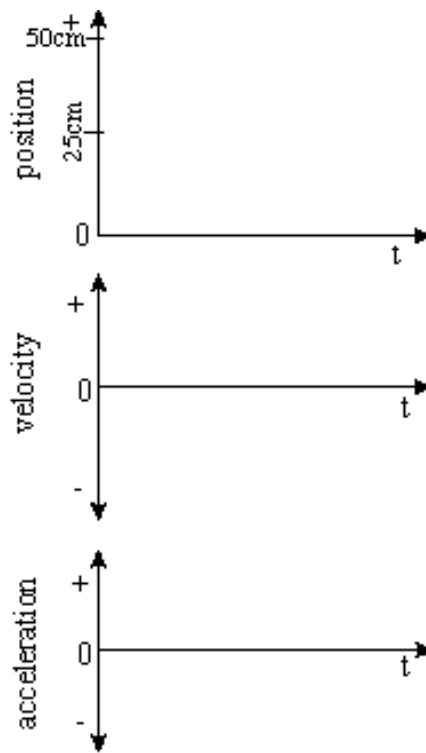
3. Draw a motion map along the ramp for the motion of the ball as it rolls down the ramps from rest.



Draw graphs corresponding to the motion of the ball in **problem 3**.



Draw graphs corresponding to the motion of the ball in **problem 4**.



4. Draw a motion map along the ramp for the motion of the ball as it rolls up and back down the ramp.

