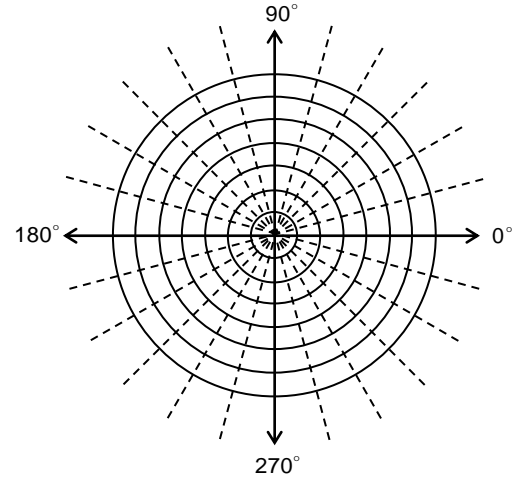


Draw a graph of the given point in polar coordinates. Give two other polar coordinate names for the point, one with  $r$  positive, one with  $r$  negative.

1) Given point: ( )

$r$  positive:

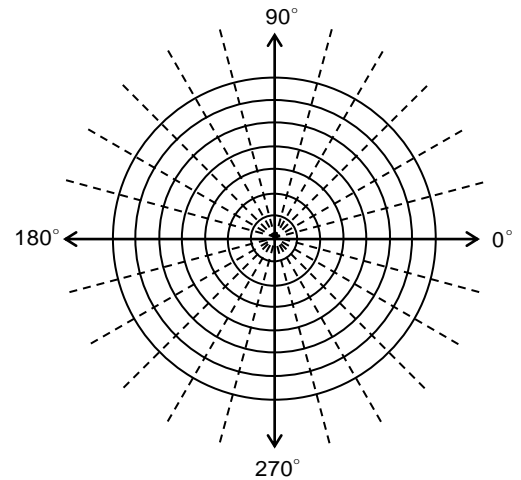
$r$  negative:



2) Given point: ( )

$r$  positive:

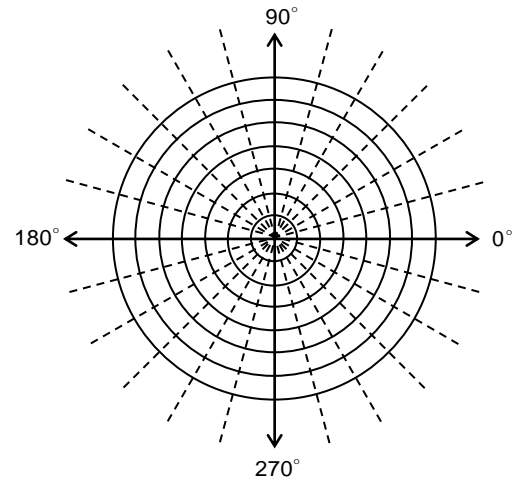
$r$  negative:



3) Given point: ( )

$r$  positive:

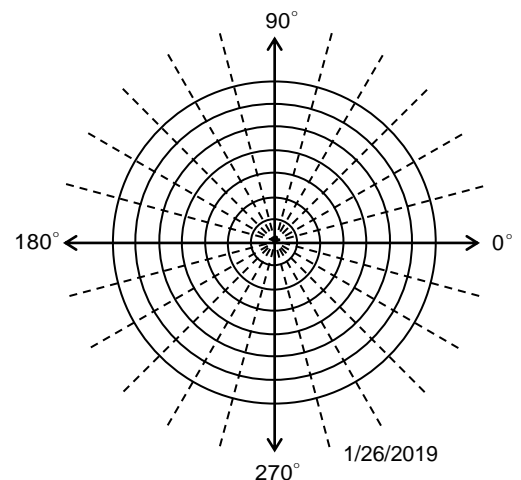
$r$  negative:



4) Given point: ( )

$r$  positive:

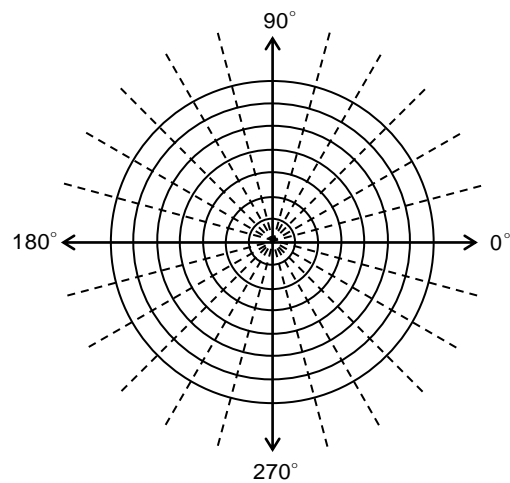
$r$  negative:



5) Given point: (                    )

r positive:

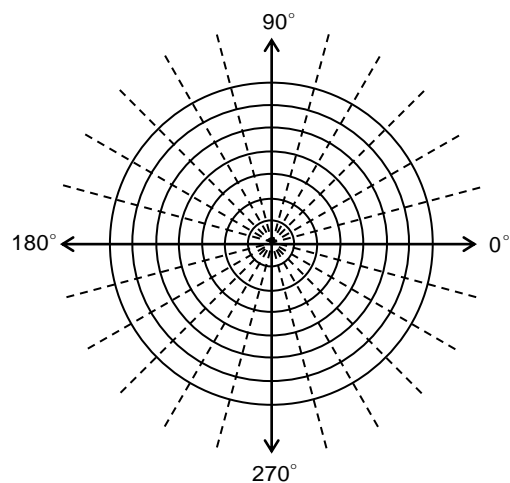
r negative:



6) Given point: (                    )

r positive:

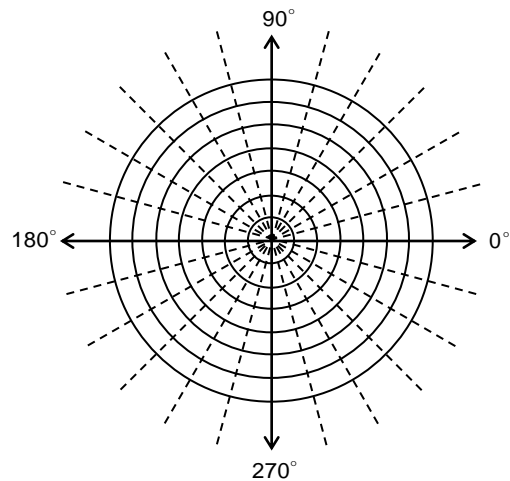
r negative:



7) Given point: (                    )

r positive:

r negative:



8) Given point: (                    )

r positive:

r negative:

